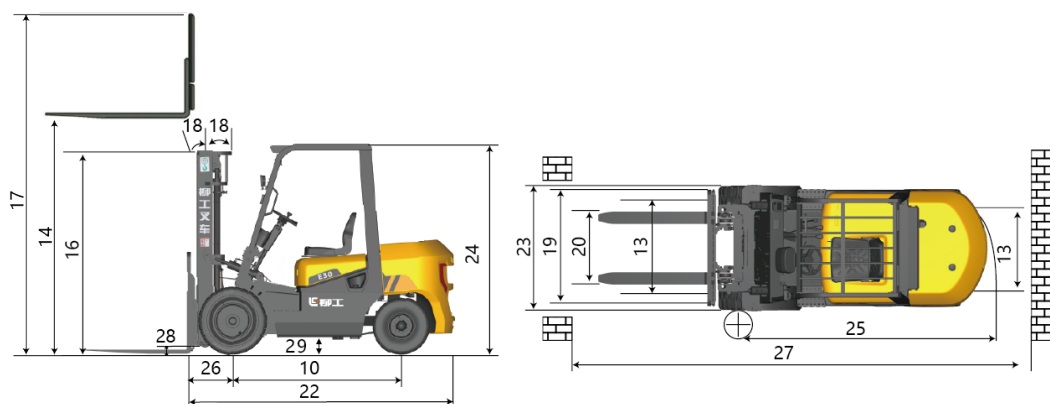


M	1			CPCD30
	2			
	3		kg	3000
	4		mm	500
	5		kg	4260
	6	,	kg	6450/1680
	7	,	kg	810/2580
	8			
	9	/		2/2
	10		mm	1760
	11			28 x 9-15-14PR
	12			6.50 -10-10PR
	13	/	mm	1000/980
	14		mm	3000
	15		mm	145
	16		mm	2110
	17		mm	4146
	18		deg	6° / 12°
	19		mm	1100
	20	/	mm	272 / 1072
	21	x x	mm	50x 122 x 1070
	22		mm	2720
	23		mm	1225
	24		mm	2150
	25		mm	2400
	26		mm	475
	27		mm	2190
	28		mm	135
	29		mm	140
	30	/	km/h	18.5/19
	31	/	mm/s	455/475
	32	/	mm/s	460/480
	33		N	16475
	34	/	%	18 / 20
	35			/ -
	36			/
	37			Isuzu
	38			C240-NBKEG-01-C3
	39			EU IIIA
	40			4
	41		L	2.369
	42		kw/rpm	35.4/2650
	43		N.m/rpm	137.7/1800



LIUGONG

E



ISUZU

3000kg
35.4 kW

CPCD30

E